

# VAN DORN®

## 500 HP SERIES

### Injection Unit

International Size	Measure	1920		2800		4300	
		Std.	HiPr	Std.	HiPr	Std.	HiPr
Injection Capacity (GPPS)	oz. g	40 1,134	30 839	59 1,678	45 1,284	90 2,540	64 1,800
Injection Capacity	cu. in. ccm	74.0 1,213	54.4 891	108.6 1,780	83.1 1,362	164.4 2,694	116.6 1,911
Recovery Rate (GPPS)	oz./sec. g/sec	2.25 64	1.67 47	3.04 86	2.25 64	3.76 107	2.96 84
Injection Pressure (@10,000 psi) (@ 700 bar)	psi bar	23,212 1,600	31,594 2,178	22,949 1,582	29,974 2,067	23,435 1,616	33,047 2,279
Injection Rate	cu. in./sec. ccm/sec	41.7 683	30.6 501	42.2 692	32.3 529	41.3 677	29.3 480
Injection Stroke	in. mm	12.40 315	12.40 315	13.94 354	13.94 354	14.96 380	14.96 380
Screw Diameter	in. mm	2.76 70	2.36 60	3.15 80	2.76 70	3.74 95	3.15 80
Screw L/D Ratio		20/1 20/1	20/1 20/1	20/1 20/1	20/1 20/1	20/1 20/1	20/1 20/1
Maximum Screw Speed	rpm rpm	204 204	238 238	179 179	204 204	151 151	174 174
Back Pressure Adjust	psi bar	75-300 5-21	75-300 5-21	75-300 5-21	75-300 5-21	75-300 5-21	75-300 5-21
Barrel Heating Capacity	kW kW	33 33	26 26	38 38	34 34	56 56	43 43

### General Machine Specifications

	Measure	1920	2800	4300
Pump Motor	hp kW	75 56	75 56	100 75
Pump Capacity	gpm lpm	117 443	117 443	117 443
Oil Capacity	gal. l	420 1,590	420 1,590	420 1,590
Machine Weight (approx.)	lb. kg	54,000 24,490	54,500 24,720	55,500 25,170
<b>Machine Dimensions</b>				
Length	ft. m	29.6 9.0	31.1 9.5	33.2 10.1
Width	ft. m	6.7 2.0	6.7 2.0	6.7 2.0
Height	ft. m	9.8 3.0	9.8 3.0	9.8 3.0

Performance specifications are based on theoretical data and mold, material and conditions. Since continuous improvement is Van Dorn Demag's policy, we reserve the right to change specifications, designs and performance data without prior notice or obligation.

### Clamp Unit

Clamp Force	U.S. tons kN	500 4,448
Open Force	U.S. tons kN	23 205
Clamp Stroke - Max.	in. mm	40 1,016
Open Daylight - Max. (w/o Ejector Box & Ram Spacers)	in. mm	68 1,727
Mold Thickness - Min. (w/ Ejector Box & Ram Spacers)	in. mm	12 305
Ejector Box Thickness	in. mm	12 305
Ram Spacer Thickness	in. mm	4 102
<b>Distance Between Tie Bars</b>		
Horizontal (Standard)	in. mm	32.5 826
(Optional Extended Tie Bar Spacing)	in. mm	36.5 927
Vertical	in. mm	32.5 826
<b>Platen Size</b>		
Horizontal (Standard)	in. mm	47 1,194
(Optional Extended Tie Bar Spacing)	in. mm	51 130
Vertical	in. mm	47 1,194
Tie Bar Diameter	in. mm	5.5 140
<b>Clamp Speeds</b>		
Closing	in./sec. mm/sec.	30 762
Opening	in./sec. mm/sec.	28 711
Ejector Force	U.S. tons kN	12.5 111
Ejector Stroke	in. mm	6 152

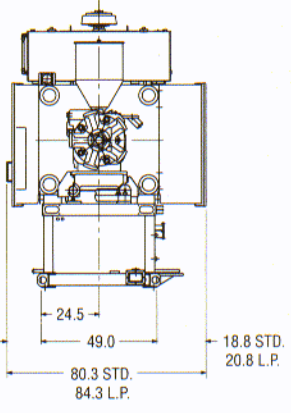
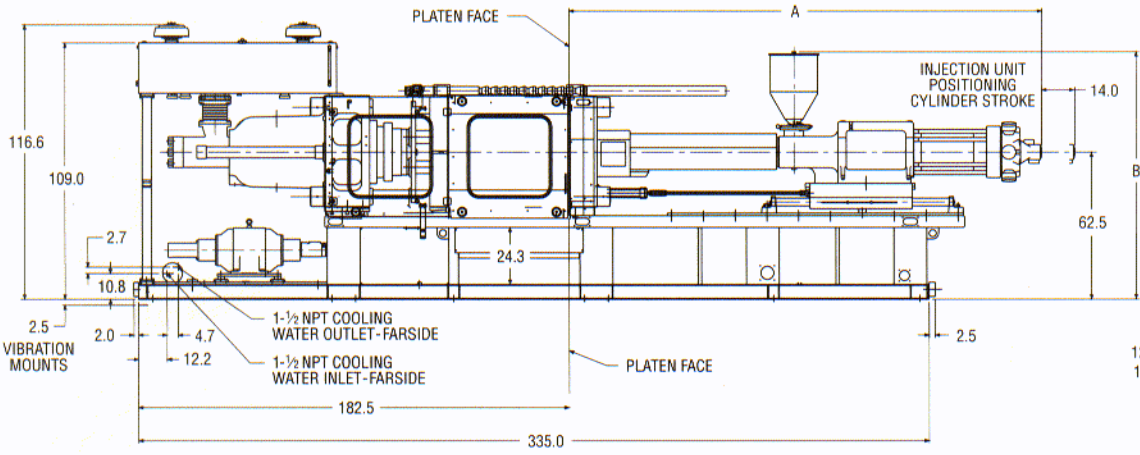
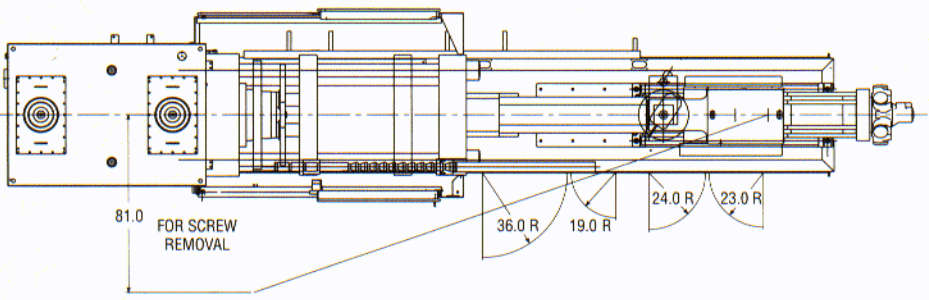
Extended tie bar spacing reduces minimum mold thickness and maximum open daylight by 1/2".

The specifications listed are standard. However, Van Dorn Demag will provide engineered options and solutions to meet virtually any performance requirements including high-pressure and high-speed configurations.

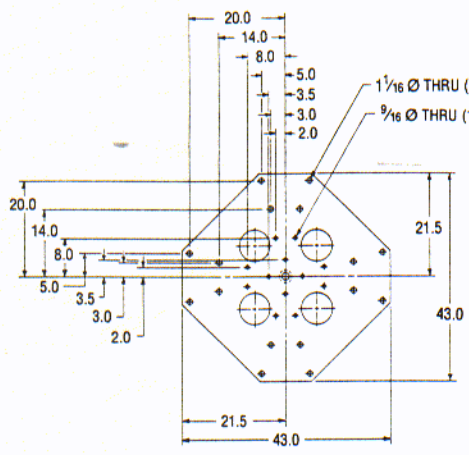
500-803

# VAN DORN®

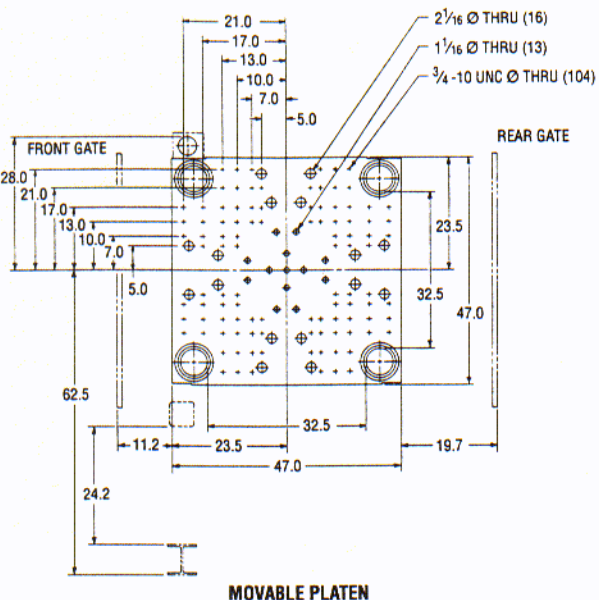
## 500 HP SERIES



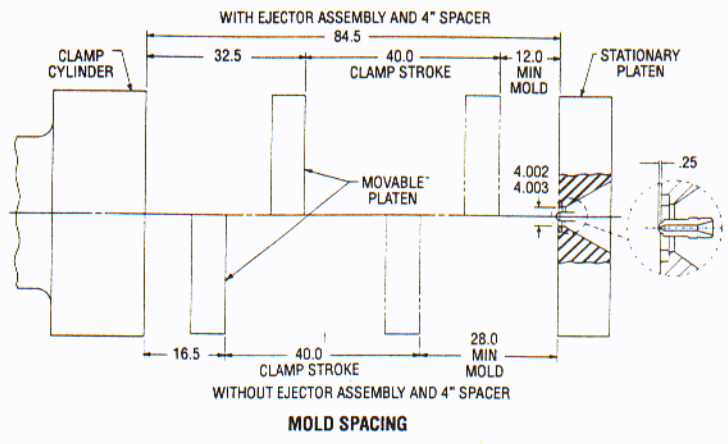
Injection Unit	A	B
<b>STANDARD BARREL</b>		
70mm / 1920	156.7	98.9
80mm / 2800	174.8	101.3
90mm / 4300	200.2	105.2



EJECTOR PLATE



MOVABLE PLATEN



MOLD SPACING

# VAN DORN DEMAG®

Van Dorn Demag Corporation  
 11792 Alameda Drive  
 Strongsville, Ohio 44136  
 Telephone (440) 876-8960  
 FAX (440) 876-4383  
 Web: www.vandorn.com