

VANDORN™

CALIBER 
MODEL 1100

Injection Unit

International Size	Measure	6800		6800-C	12300	
		Std.	HiPr	Std.	Std.	HiPr
Injection Capacity (GPPS)	oz. g	139 3,943	104 2,941	166 4,692	265 4,340	190 5,376
Injection Capacity	cu. in. ccm	255.2 4,181	190.3 3,119	303.7 4,976	486.0 7,964	348.0 5,702
Recovery Rate (GPPS)	oz./sec. g/sec	4.43 126	3.77 107	5.00 142	5.17 147	3.49 99
Injection Pressure	psi bar	23,488 1,619	31,490 2,171	19,736 1,361	22,522 1,553	31,457 2,169
Injection Rate (@ 10,000 psi @ 700 bar)	cu. in./sec. ccm/sec	55.9 917	41.7 684	66.6 1,091	62.9 1,030	45.0 737
Injection Stroke	in. mm	17.3 440	17.3 440	17.3 440	23.6 600	23.6 600
Screw Diameter	in. mm	4.33 110	3.74 95	4.72 120	5.12 130	4.33 110
Screw L/D Ratio		20/1 20/1	20/1 20/1	20/1 20/1	20/1 20/1	20/1 20/1
Maximum Screw Speed	rpm rpm	130 130	151 151	122 122	102 102	102 102
Back Pressure Adjust	psi bar	75-300 5-21	75-300 5-21	75-300 5-21	75-300 5-21	75-300 5-21
Barrel Heating Capacity	kW kW	63.1 63.1	53.8 53.8	68.2 68.2	82.6 82.6	68.2 68.2

General Machine Specifications

	Measure	6800	6800-C	12300
Pump Motor	hp kW	125 93.2	125 93.2	125 93.2
Pump Capacity	gpm Lpm	162 613	162 613	162 613
Oil Capacity	gal. L	200 757	200 757	200 757
Machine Weight (approx.)	lb. kg	119,200 54,100	120,000 54,500	130,500 73,548
Machine Dimensions				
Length	ft. m	34.5 10.5	35.1 10.7	34.9 10.6
Width	ft. m	11.1 3.4	11.1 3.4	11.1 3.4
Height	ft. m	8.7 2.7	8.7 2.7	8.7 2.7

Performance specifications are based on theoretical data and mold, material and conditions. Since continuous improvement is Van Dorn Demag's policy, we reserve the right to change specifications, designs and performance data without prior notice or obligation.

Clamp Unit

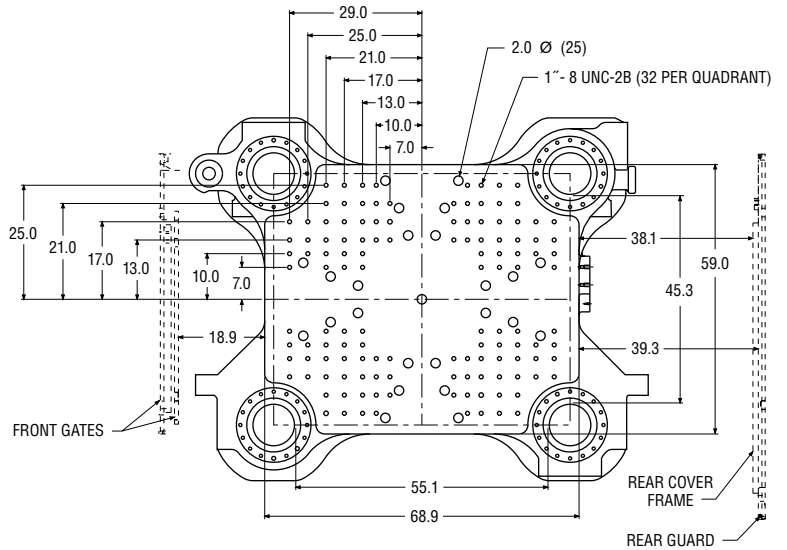
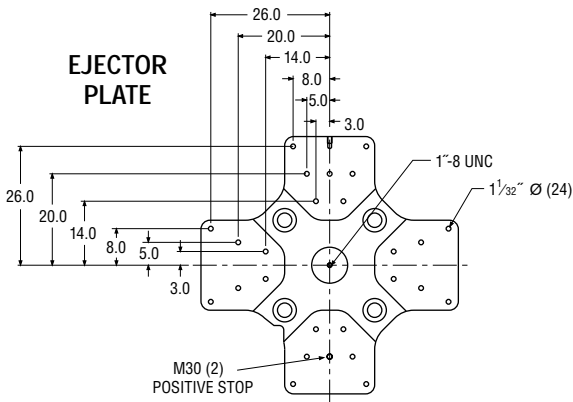
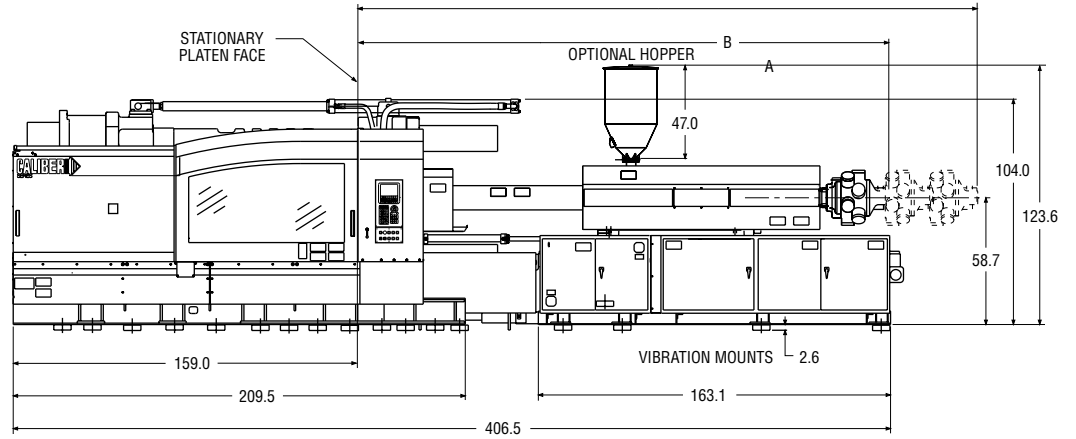
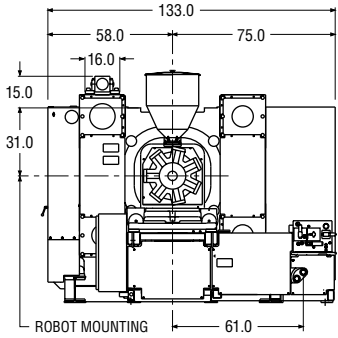
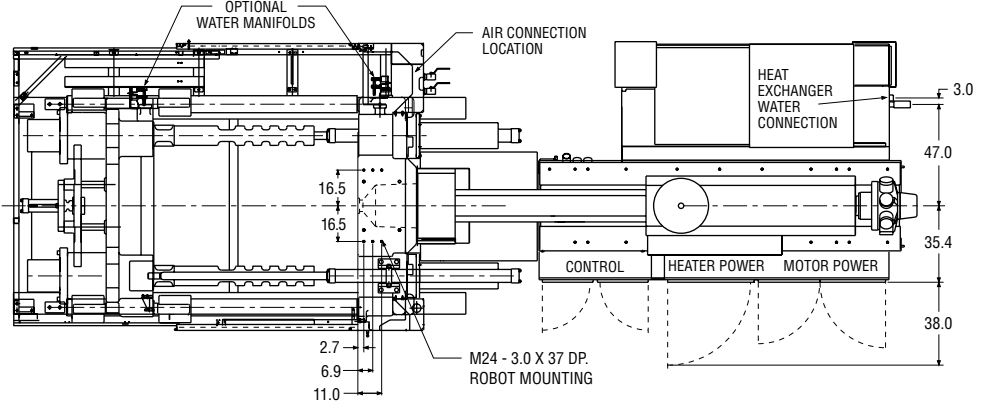
Clamp Force	U.S. tons kN	1,100 9,790
Open Force	U.S. tons kN	59.0 524
Clamp Stroke - Max.	in. mm	74.8 1,900
Open Daylight - Max.	in. mm	94.5 2,400
Mold Thickness - Min.	in. mm	19.7 500
Mold Thickness - Max.	in. mm	51.2 1,300
Distance Between Tie Bars		
Horizontal	in. mm	55.1 1,400
Vertical	in. mm	45.3 1,150
Platen Size		
Horizontal (Standard)	in. mm	68.9 1,750
Vertical	in. mm	59.1 1,500
Clamp Speeds		
Closing	in./sec. mm/sec.	30.2 767
Opening	in./sec. mm/sec.	31.4 799
Ejector Force	U.S. tons kN	24.5 218
Ejector Stroke	in. mm	10.8 275

The specifications listed are standard. However, Van Dorn Demag will provide engineered options and solutions to meet virtually any performance requirements including high-pressure and high-speed configurations.

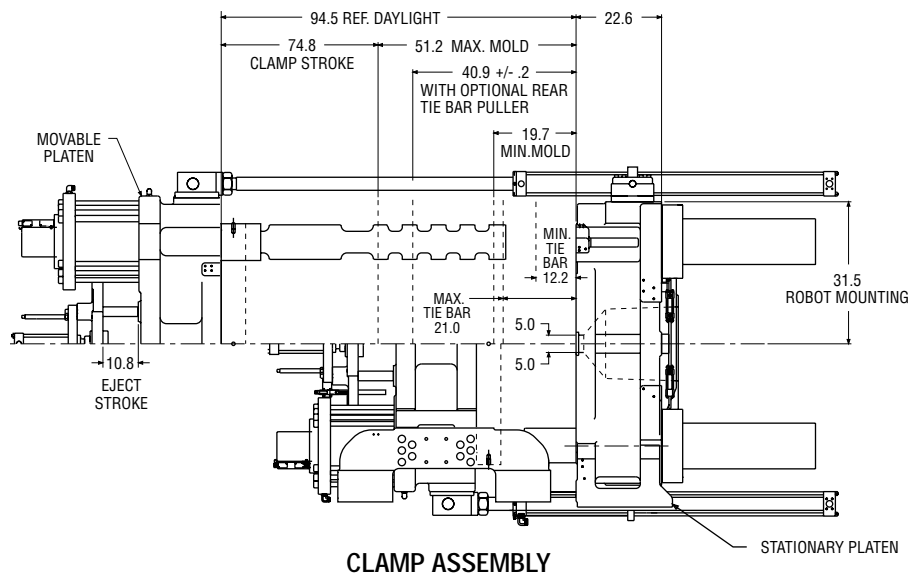
VANDORN™

CALIBER
MODEL 1100

Injection Unit	"A"	"B"
95mm 20:1 6800RR	206.8	239.3
110mm 20:1 6800RR	220.5	253
130mm 20:1 12,300	223.4	259.3
135mm 260 oz.	246.5	278.9



MOVABLE PLATEN



CLAMP ASSEMBLY

DemagPlastics Group
VAN DORN

Van Dorn Demag Corporation
11792 Alameda Drive
Strongsville, Ohio 44149 USA
tel: 440/876.8960
fax: 440/876.4383
web: www.vandorndemag.com

6/03/1500
03.05.001.3